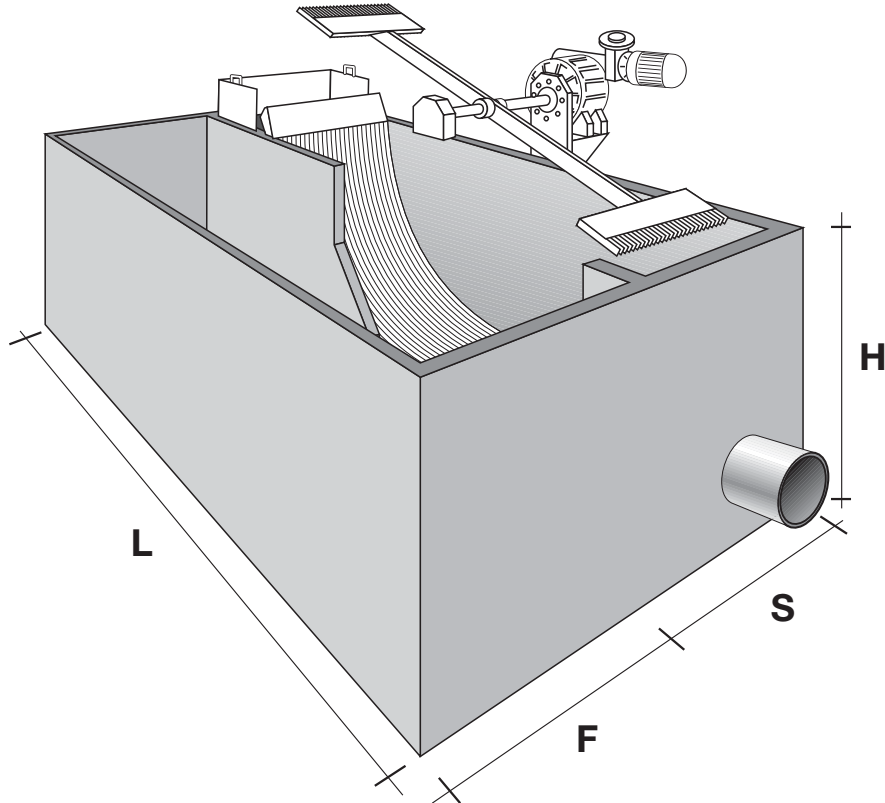


## MONOBLOC SCREENING BASINS

CGR series



### WHAT ARE MONOBLOC SCREENING BASINS CGR SERIES

Monobloc screening basins type EURO MEC CGR series, used for the installation of bow mechanical screens or rotating brushes separators, are made of highly resistant reinforced concrete.

### HOW MONOBLOC SCREENING BASINS CGR SERIES WORK

Monobloc screening basins type EURO MEC CGR series allow a quick installation of bow mechanical screens or rotating brushes separators, and are correctly dimensioned in order to obtain an optimal sewage speed to avoid accumulation of sedimentable substances on the bottom of the tanks.

### USED MATERIALS

Screening basins : highly resistant reinforced vibrated concrete

### SPECIFICATION

"Supply of prefabricated monobloc screening basin type EURO MEC CGR series made of highly resistant reinforced concrete, with the arrangement for automatic bow screen, equipped with sewage inlet and outlet pipes."

## STANDARD PRODUCTION

1 CHANNEL MODEL					2 CHANNELS MODEL					
MODEL	L cm	H cm	S cm	Weight q.l.s	MODEL	L cm	H cm	S cm	F cm	Weight q.l.s
CGR/1/30	400	100	30	30	CGR/2/30	400	100	30	20	47
CGR/1/40	400	100	40	33	CGR/2/40	400	100	40	30	51
CGR/1/50	400	100	50	35	CGR/2/50	400	100	50	40	55
CGR/1/60	400	100	60	37	CGR/2/60	400	100	60	50	60
CGR/1/80	400	100	80	40	CGR/2/80	400	100	80	70	68
CGR/1/90	400	100	90	43	CGR/2/90	400	100	90	80	73
CGR/1/100	400	100	100	46	CGR/2/100	400	100	100	90	76
CGR/1/120	400	100	120	49	CGR/2/120	400	100	120	110	85
CGR/1/140	400	100	140	53						
CGR/1/160	400	100	160	58						

The above written data are given as information. The Society EURO MEC S.r.l. reserves the right to change them in every moment.