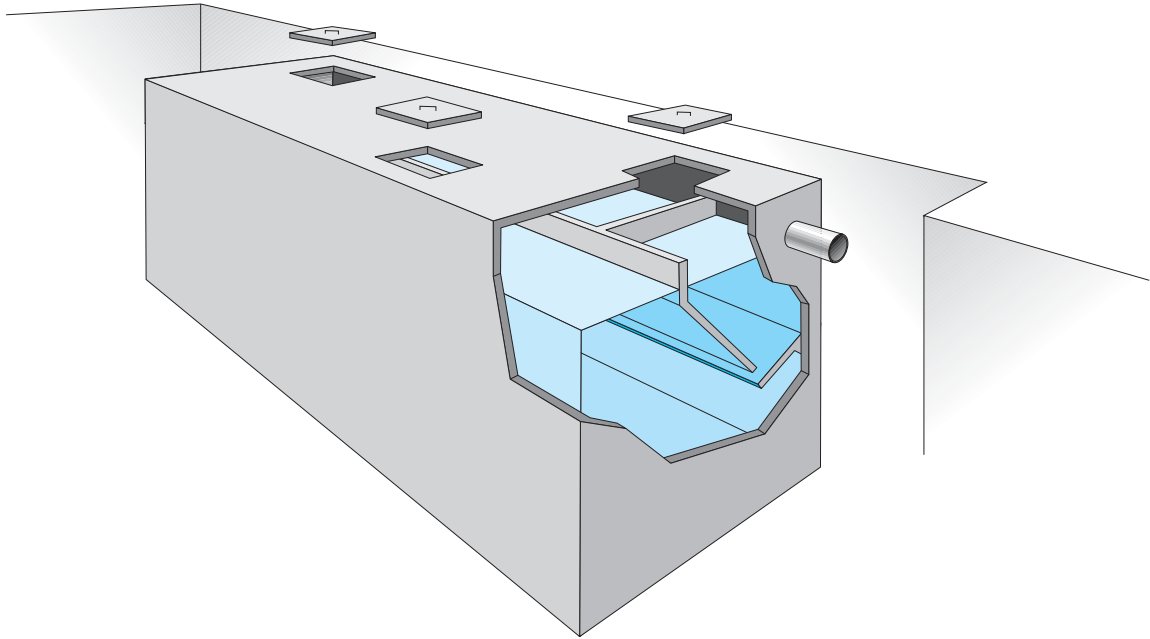


## MONOBLOC IMHOFF TANKS

### IMO series



#### WHAT ARE IMHOFF TANKS IMO SERIES

*Imhoff septic tanks* type EURO MEC IMO series, dimensioned according to what has been prescribed by the Technical Norms of the Official Gazette, are used in the civil sewage water primary treatment. Composed of a monolithic tank made of reinforced concrete, they guarantee a total absence of loss of water and of ground infiltrations.

Complete inside with separators between the decantation zone and the sludge digestion zone, and complete of baffles for the inlet and outlet sewage.

*Imhoff septic tanks* type EURO MEC IMO series can be installed even in the presence of ground water.

#### HOW IMHOFF TANKS IMO SERIES WORK

*Imhoff septic tanks* type EURO MEC IMO series, are divided inside into two different sections: one top section where the sewage is treated and the bottom section where sludge is treated. In the first section we have the decantation of settling solids and the flotation of grease present in the sewage; in the second section we have the collection and digestion of settled sludge by means of anaerobic process. The settled sludge is so completely mineralised.

#### USED MATERIALS

|        |   |  |
|--------|---|--|
| Tanks  | : | highly resistant reinforced vibrated concrete    |
| Shafts | : | concrete<br>(if requested class D 400 cast iron) |

#### SPECIFICATION

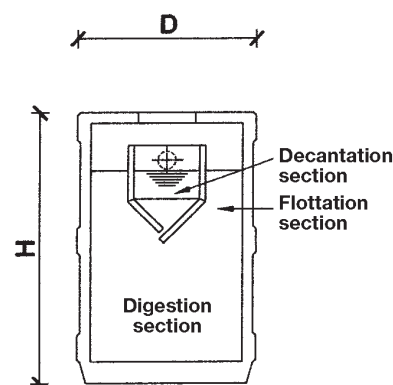
"Supply of an *Imhoff septic tank* type EURO MEC IMO series, prefabricated, monolithic, made of reinforced concrete, perfectly tight, dimensioned according to the Technical Norms of the Official Gazette, complete inside with separators between the decantation zone and the sludge digestion zone, baffles for the inlet and outlet sewage and inspection manholes in concrete."

## STANDARD PRODUCTION

Monobloc IMO/C series circular plan

For the discharge in public drainage system – In compliance with the European Norms

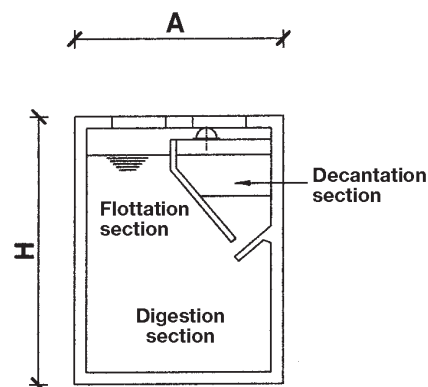
| MODEL           | USERS |     | TANK              |                  |                   | VOLUME            |                   | WEIGHT<br>q.ls |
|-----------------|-------|-----|-------------------|------------------|-------------------|-------------------|-------------------|----------------|
|                 | 150   | 100 | ext. Ø<br>D<br>cm | leng.<br>L<br>cm | Height<br>H<br>cm | Decant.<br>liters | Digest.<br>liters |                |
| <b>IMO/C 5</b>  | 1     | 6   | 130               | -                | 200               | 220               | 550               | 23             |
| <b>IMO/C 10</b> | 6     | 12  | 130               | -                | 250               | 400               | 1.130             | 28             |
| <b>IMO/C 15</b> | 11    | 18  | 151               | -                | 250               | 600               | 1.500             | 35             |
| <b>IMO/C 20</b> | 16    | 25  | 151               | -                | 300               | 800               | 2.000             | 39             |
| <b>IMO/C 25</b> | 21    | 31  | 192               | -                | 250               | 1.000             | 2.480             | 43             |
| <b>IMO/C 30</b> | 26    | 37  | 192               | -                | 300               | 1.200             | 3.020             | 56             |
| <b>IMO/C 40</b> | 31    | 50  | 192               | -                | 350               | 1.590             | 4.150             | 75             |
| <b>IMO/C 50</b> | 41    | 62  | 250               | -                | 300               | 2.000             | 4.940             | 92             |
| <b>IMO/C 60</b> | 51    | 75  | 250               | -                | 350               | 2.400             | 6.150             | 102            |
| <b>IMO/C 70</b> | 61    | 87  | 250               | -                | 400               | 2.800             | 7.000             | 112            |



Monobloc IMO/V series rectangular plan

For the discharge in public drainage system – In compliance with the European Norms

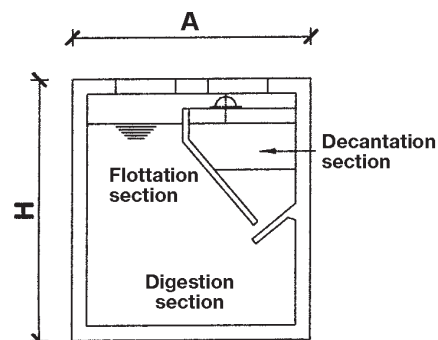
| MODEL            | USERS |     | TANK             |                  |                   | VOLUME            |                   | WEIGHT<br>q.ls |
|------------------|-------|-----|------------------|------------------|-------------------|-------------------|-------------------|----------------|
|                  | 150   | 100 | Width<br>A<br>cm | leng.<br>L<br>cm | Height<br>H<br>cm | Decant.<br>liters | Digest.<br>liters |                |
| <b>IMO/V 60</b>  | 60    | 75  | 210              | 250              | 300               | 2.400             | 6.000             | 85             |
| <b>IMO/V 70</b>  | 61    | 87  | 220              | 270              | 310               | 2.800             | 7.000             | 95             |
| <b>IMO/V 80</b>  | 71    | 100 | 250              | 270              | 315               | 3.200             | 8.000             | 105            |
| <b>IMO/V 100</b> | 81    | 125 | 250              | 270              | 370               | 4.000             | 10.000            | 117            |
| <b>IMO/V 120</b> | 101   | 150 | 250              | 270              | 425               | 4.800             | 12.000            | 130            |
| <b>IMO/V 140</b> | 121   | 175 | 250              | 270              | 480               | 5.600             | 14.000            | 143            |
| <b>IMO/V 160</b> | 141   | 200 | 250              | 270              | 535               | 6.400             | 16.000            | 155            |



Monobloc IMO/O series monobloc, horizontal axis, rectangular plan

For the discharge in public drainage system – In compliance with the European Norms

| MODEL            | UTENTI |     | TANK             |                  |                   | VOLUME            |                   | WEIGHT<br>q.ls |
|------------------|--------|-----|------------------|------------------|-------------------|-------------------|-------------------|----------------|
|                  | 150    | 100 | Width<br>A<br>cm | leng.<br>L<br>cm | Height<br>H<br>cm | Decant.<br>liters | Digest.<br>liters |                |
| <b>IMO/O 75</b>  | 55     | 75  | 160              | 290              | 270               | 2.250             | 4.500             | 95             |
| <b>IMO/O 85</b>  | 60     | 85  | 250              | 200              | 270               | 2.550             | 5.100             | 110            |
| <b>IMO/O 100</b> | 75     | 100 | 250              | 250              | 270               | 3.000             | 6.000             | 130            |
| <b>IMO/O 115</b> | 85     | 115 | 250              | 325              | 270               | 3.450             | 6.900             | 150            |
| <b>IMO/O 145</b> | 105    | 145 | 250              | 400              | 270               | 4.350             | 8.700             | 165            |
| <b>IMO/O 170</b> | 125    | 170 | 250              | 450              | 270               | 5.100             | 10.200            | 200            |
| <b>IMO/O 235</b> | 175    | 235 | 250              | 650              | 270               | 7.050             | 14.100            | 260            |
| <b>IMO/O 295</b> | 220    | 295 | 250              | 750              | 270               | 8.850             | 17.700            | 320            |



The above written data are given as information. The Society EURO MEC S.r.l. reserves the right to change them in every moment.