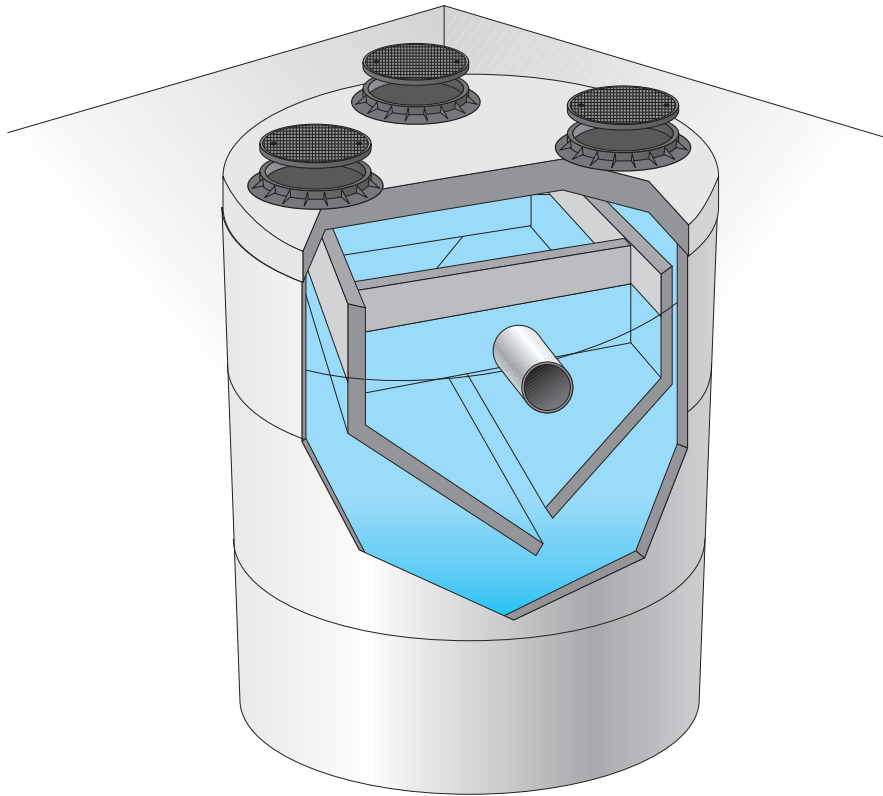


## MODULAR RINGS IMHOFF TANKS

### IMO/A series



#### WHAT ARE IMHOFF TANKS IMO/A SERIES

*Imhoff septic tanks* type EURO MEC IMO/A series, dimensioned according to what has been prescribed by the Technical Norms of the Official Gazette, are used in the civil sewage water primary treatment. Composed of a modular rings tank made of reinforced concrete highly resistant, to seal on site.

Complete inside with separators between the decantation zone and the sludge digestion zone, and complete of baffles for the inlet and outlet sewage.

#### HOW IMHOFF TANKS IMO/A SERIES WORK

*Imhoff septic tanks* type EURO MEC IMO/A series, are divided inside into two different sections: one top section where the sewage is treated and the bottom section where sludge is treated. In the first section we have the decantation of settling solids and the flotation of grease present in the sewage; in the second section we have the collection and digestion of settled sludge by means of an anaerobic process. The settled sludge is so completely mineralised.

#### USED MATERIALS

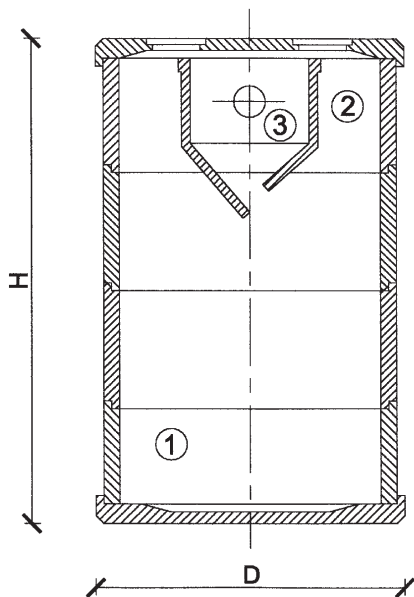
Tanks	:	highly resistant reinforced vibrated concrete
Shafts	:	concrete (if requested class D 400 cast iron)

#### SPECIFICATION

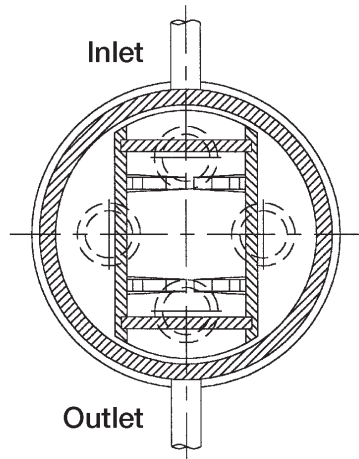
"Supply of an *Imhoff septic tank* type EURO MEC IMO/A series, prefabricated, monolithic, made of reinforced concrete, perfectly tight, dimensioned according to the Technical Norms of the Official Gazette, complete inside with separators between the decantation zone and the sludge digestion zone, baffles for the inlet and outlet sewage and inspection manholes in concrete."

**STANDARD PRODUCTION**

Section



Plant



- 1 Sludge digestion
- 2 Grease flotation
- 3 Decantation



Imhoff tank  
Mod. IMO/A 145 ÷ 350  
internal diameter 300 cm.

IMO/A series circular plant made of rings  
For the discharge in public drainage system – In compliance with the European Norms

MODEL	USERS				VASCA		VOLUME lt	WEIGHT q.ls	MAX. WEIGHT Elements q.ls
	Water consumption l/inhabitant				Int. diameter cm	Height cm			
	250	200	150	100	D	H			
<b>IMO/A 5</b>	-	-	-	5	80	162	600	8	2,22
<b>IMO/A 10</b>	-	-	6	10	100	162	1000	11	2,9
<b>IMO/A 15</b>	-	8	10	15	125	168	1600	17	4,5
<b>IMO/A 25</b>	10	12	16	25	125	218	2450	19	4,5
<b>IMO/A 30</b>	12	15	20	30	150	218	3100	25	6
<b>IMO/A 35</b>	14	17	23	35	150	268	3500	28	6
<b>IMO/A 45</b>	18	22	30	45	150	318	4500	31	6
<b>IMO/A 50</b>	21	26	35	50	150	368	5300	34	6
<b>IMO/A 55</b>	22	28	38	55	200	229	5700	66	11
<b>IMO/A 70</b>	28	36	48	70	200	279	7200	75	11
<b>IMO/A 85</b>	34	43	58	85	200	329	8700	86	11
<b>IMO/A 100</b>	40	51	68	100	200	379	10200	95	11
<b>IMO/A 115</b>	46	58	78	115	200	429	11700	106	11
<b>IMO/A 130</b>	52	66	88	130	200	479	13200	115	11
<b>IMO/A 145</b>	58	72	96	145	300	260	14500	128	26
<b>IMO/A 195</b>	79	99	132	195	300	335	19800	148	26
<b>IMO/A 250</b>	100	125	166	250	300	410	25000	168	26
<b>IMO/A 300</b>	121	152	202	300	300	485	30400	188	26
<b>IMO/A 350</b>	141	176	235	350	300	560	35350	208	26

The above written data are given as information. The Society EURO MEC S.r.l. reserves the right to change them in every moment.