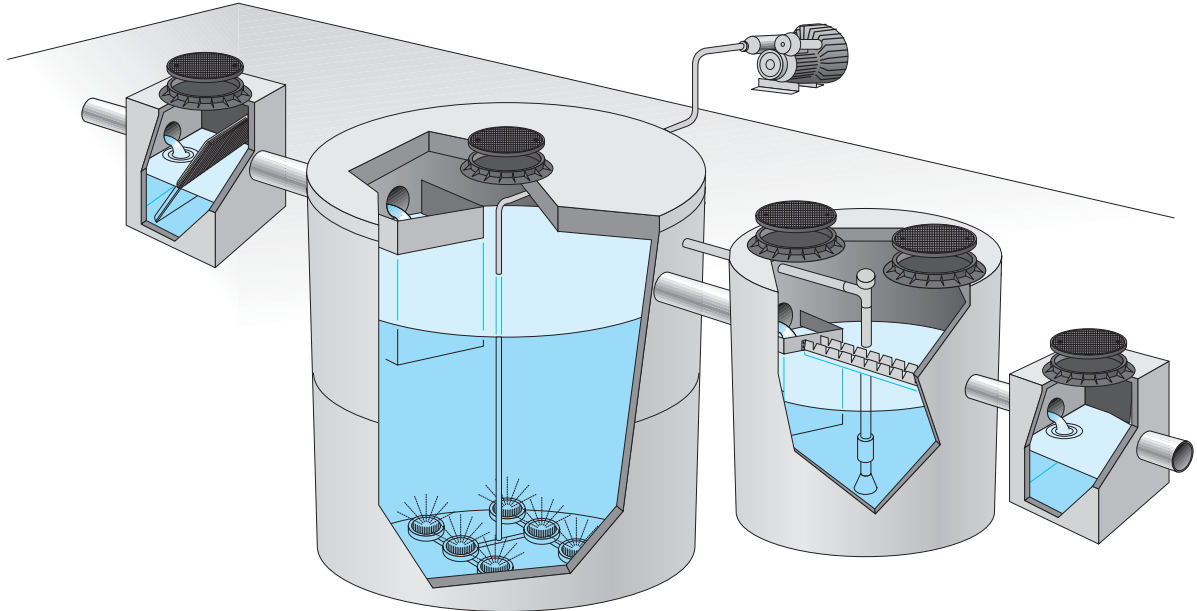


MODULAR RING TOTAL OXIDATION PLANTS FROM 15 TO 250 EQUIVALENT POPULATION

OXI/A series



WHAT ARE TOTAL OXIDATION PLANTS OXI/A SERIES

Modular ring prefabricated plants type EURO MEC OXI/A series for residential areas from 5 to 250 equivalent population are dimensioned in order to guarantee the acceptance limits to the discharge foreseen by the Directive 91/271/CEE for discharge in superficial water, principally composed of a cylindrical tank vertical axe of biological oxidation equipped with self-polishing membrane air diffusers and a final sedimentation with automatic sludge recycling.

The supply includes the blower type side channels for the production of compressed air and the general command and protection electric panel.

By request the modular ring prefabricated plants type EURO MEC OXI/A series can be executed with pre-treatment realised in a suitably dimensioned gross screening tank type Imhoff (OXI/AS series).

HOW TOTAL OXIDATION PLANTS OXI/A SERIES WORK

Modular ring prefabricated plants type EURO MEC OXI/A series for residential areas from 5 to 250 equivalent population are divided into the following sections: one for biological oxidation, where by means of aeration through air insufflation, happens the complete reduction of sewage organic substance; one of sedimentation, where sludge separation is obtained, which settle on the bottom, and skimming clarified water is sent to the discharge. Active sludge, collected from the bottom of the sedimentation section, is recycled in continuous by means of a pneumatic ejector to the oxidation, respect to overflow sludge, coming from biological increase, which is periodically extracted.

With the use of timers, that command the on/off of the blower, the functioning of modular rings prefabricated plants type EURO MEC OXI/A series can be fully automatised.

Modular ring prefabricated plants type EURO MEC OXI/AS series foresee before the biological treatment a sewage gross screening by means of an Imhoff tank, in which gross and sedimentable substances are kept from the inlet sewage.

USED MATERIALS

Tanks	:	highly resistant reinforced vibrated concrete
Shafts	:	concrete (if requested class D 400 cast iron)
Piping	:	galvanised steel and polyethylene
By request	:	stainless steel AISI 304

SPECIFICATION

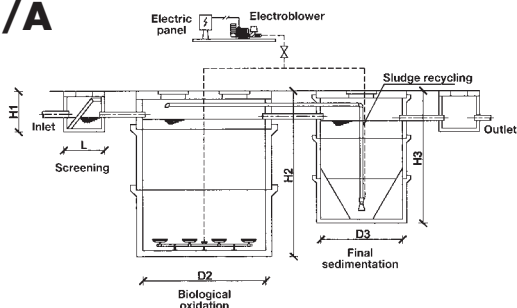
OXI/A: "Supply of prefabricated total oxidation depuration plant made of reinforced concrete type EURO MEC OXI/A series composed of tanks vertical axe made of modular rings to seal on site divided into biological oxidation and final sedimentation, complete with sewage inlet and outlet connection pipes, inspection shafts made of concrete, self-polishing membrane air diffusers, command and protection electric panel with timer and all other electromechanical parts for the correct functioning."

OXI/AS: "Supply of prefabricated total oxidation depuration plant made of reinforced concrete type EURO MEC OXI/A series composed of tanks vertical axe made of modular rings to seal on site divided into initial gross screening type Imhoff, biological oxidation and final sedimentation, complete with sewage inlet and outlet connection pipes, inspection shafts made of concrete, self-polishing membrane air diffusers, command and protection electric panel with timer and all other electromechanical parts for the correct functioning."

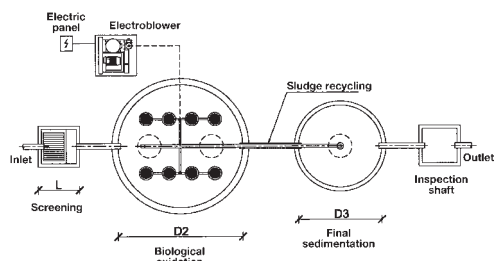
STANDARD PRODUCTION

OXI/A

Section

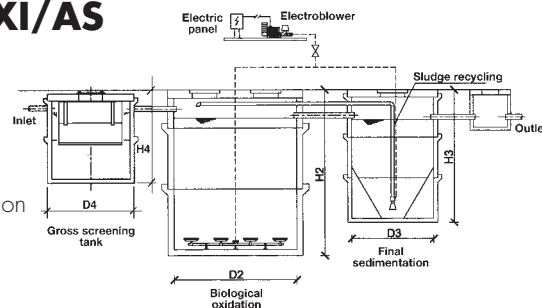


Plan

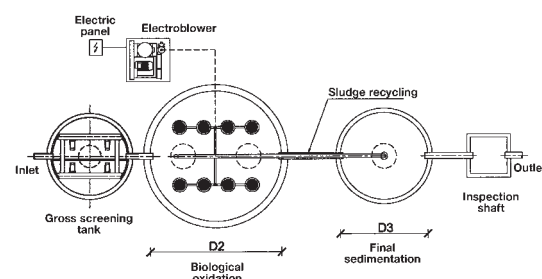


OXI/AS

Section



Plan



Modular ring total oxidation series OXI/A
For discharge in superficial water – Directive 91/271/CEE

DESCRIPTION	MEASURE UNIT	MODEL														
		OXI/A 15	OXI/A 20	OXI/A 30	OXI/A 40	OXI/A 50	OXI/A 60	OXI/A 80	OXI/A 100	OXI/A 125	OXI/A 150	OXI/A 175	OXI/A 200	OXI/A 225	OXI/A 250	
Equiv. population	n.	15	20	30	40	50	60	80	100	125	150	175	200	225	250	
Daily flow rate	mc/g	2,25	3,00	4,50	6,00	7,50	9,00	12,00	15,00	18,75	22,50	26,25	30,00	33,75	37,5	
BOD5	Kg/g	0,90	1,20	1,80	2,40	3,00	3,60	4,80	6,00	7,50	9,00	10,50	12,00	13,50	15	
Installed power	kW	0,55	0,55	1,10	1,10	1,10	1,10	2,20	1,50	2,20	2,20	3,00	3,00	4,00	4,00	
Blowers	n.	2	2	4	4	4	4	6	8	8	8	12	12	12	12	
Screening	L1	cm	50	50	50	50	50	50	50	80	80	80	80	80	80	
	H1	cm	66	66	66	66	66	66	66	96	96	96	96	96	96	
Oxidation	D2	cm	150	150	200	200	200	200	300	300	300	300	300	300	300	
	H2	cm	168	218	229	229	329	379	429	260	335	410	410	485	485	
Sedimentat.	D3	cm	100	100	100	100	100	125	150	150	200	200	200	200	200	
	H3	cm	108	108	158	208	258	258	208	258	229	229	279	279	329	
Inlet level	cm	-20	-20	-20	-20	-20	-20	-20	-20	-25	-25	-25	-25	-25	-25	
Outlet level	cm	-35	-40	-40	-40	-40	-45	-45	-45	-45	-45	-45	-45	-45	-45	
Weight	q.ls	30	35	45	55	58	75	85	135	165	175	190	210	220	230	

Initial gross screening type Imhoff series OXI/AS

DESCRIPTION	MEASURE UNIT	MODEL														
		OXI/AS 15	OXI/AS 20	OXI/AS 30	OXI/AS 40	OXI/AS 50	OXI/AS 60	OXI/AS 80	OXI/AS 100	OXI/AS 125	OXI/AS 150	OXI/AS 175	OXI/AS 200	OXI/AS 225	OXI/AS 250	
Gross screening type	D4	cm	125	125	125	125	125	125	150	150	200	200	200	200	200	
	H4	cm	168	168	168	168	218	218	218	218	229	229	229	329	329	
Total weight	q.ls	17	17	17	17	19	19	25	25	66	66	66	86	86	86	

The above written data are given as information. The Society EURO MEC S.r.l. reserves the right to change them in every moment.

The plants can be supplied with hydraulic flow rates and organic loads even different from the ones in the schedule, which are of 150 l/inhab. g. and of 60 g BOD5/inhab. g.