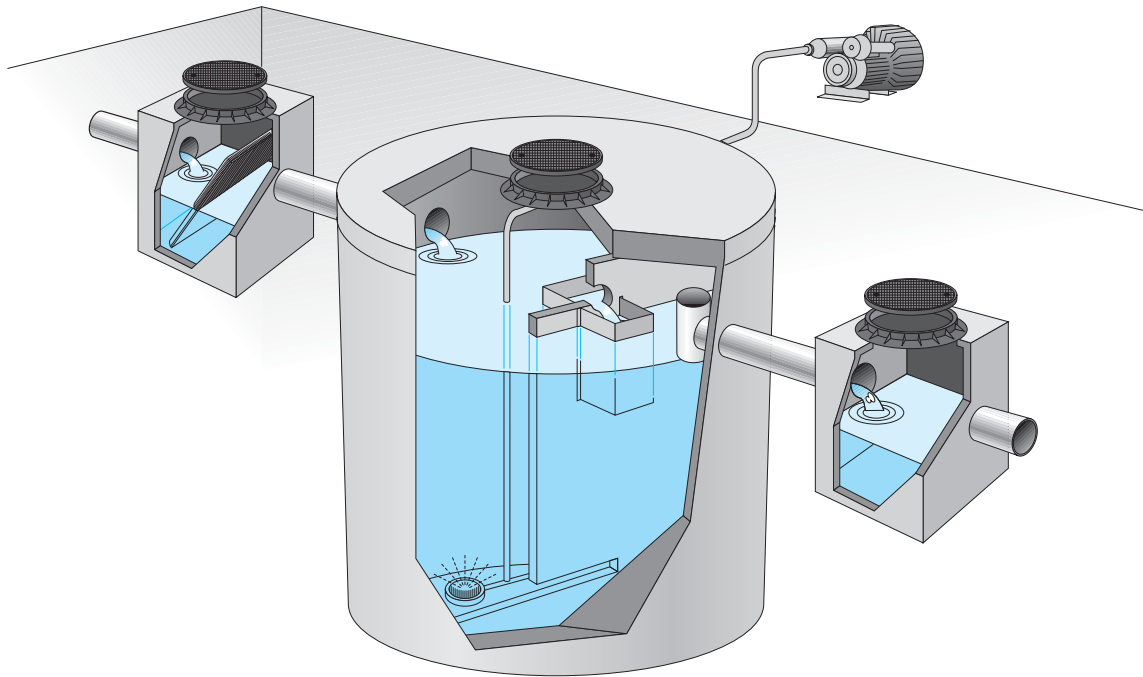


## MONOBLOC TOTAL OXIDATION PLANTS FROM 5 TO 30 EQUIVALENT POPULATION

OXI/AM series



### WHAT ARE TOTAL OXIDATION PLANTS OXI/AM SERIES

*Monobloc prefabricated tanks* type EURO MEC OXI/AM series for residential areas from 5 to 30 people equivalent are dimensioned in order to guarantee the acceptance limits to the discharge foreseen by the Directive 91/271/CEE for discharge in superficial water, composed of a cylindrical basin vertical axe divided inside into a biological oxidation section equipped with self-polishing membrane air diffusers and a final sedimentation section with automatic sludge recycling.

The supply includes the blower type side channels for the production of compressed air and the general command and protection electric panel.

### HOW TOTAL OXIDATION PLANTS OXI/AM SERIES WORK

*Monobloc prefabricated tanks* type EURO MEC OXI/AM series for residential areas from 5 till 30 people equivalent, are divided into the following sections: one for biological oxidation, where by means of aeration through air insufflation, happens the complete reduction of sewage organic substance; one of sedimentation, where sludge separation is obtained, which settle on the bottom, and skimming clarified water is send to the discharge.

Active sludge, collected from the bottom of the sedimentation section, is recycled in continuous per gravity to the oxidation, respect to overflow sludge, coming from biological increase, which is periodically extracted.

With the use of timers, that command the on/off of the blower, the functioning of *monobloc prefabricated tanks* type EURO MEC OXI/AM series can be fully automatised.

### USED MATERIALS

Tanks	:	highly resistant reinforced vibrated concrete
<i>By request</i>	:	fiberglass - polyethylene
Shafts	:	hot galvanised steel (if requested class D 400 cast iron)
Piping	:	galvanised steel and polyethylene
<i>By request</i>	:	stainless steel AISI 304

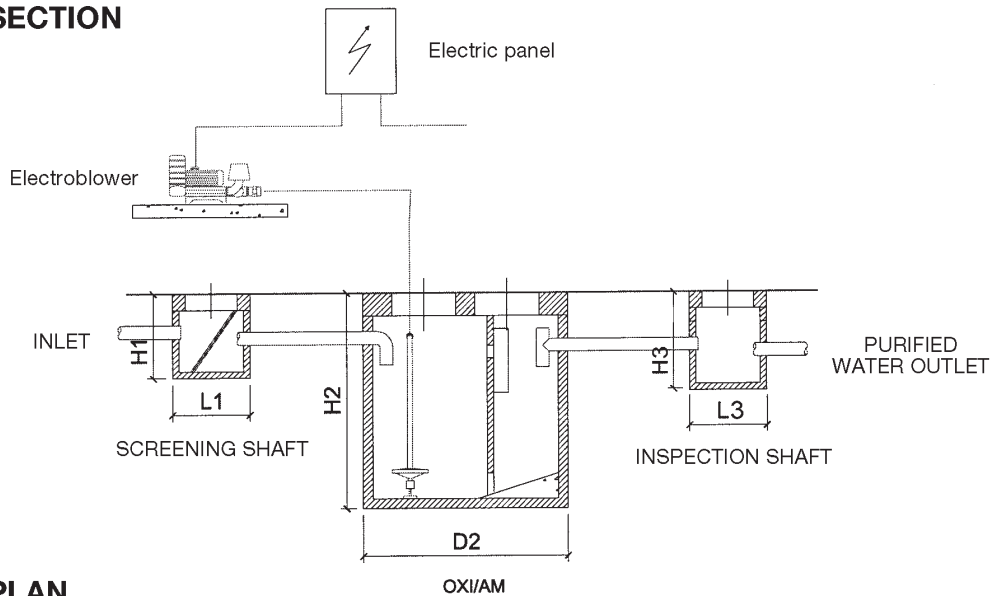
### SPECIFICATION

"Supply of prefabricated total oxidation depuration plant made of reinforced concrete type EURO MEC OXI/AM series composed of a monobloc cylindrical basin vertical axe divided inside into a biological oxidation section and a final sludge sedimentation section, complete with sewage inlet and outlet connection pipes, inspection shafts made of hot galvanised concrete, self-polishing membrane air diffusers, command and protection electric panel with timer and all other electromechanical parts for the correct functioning."

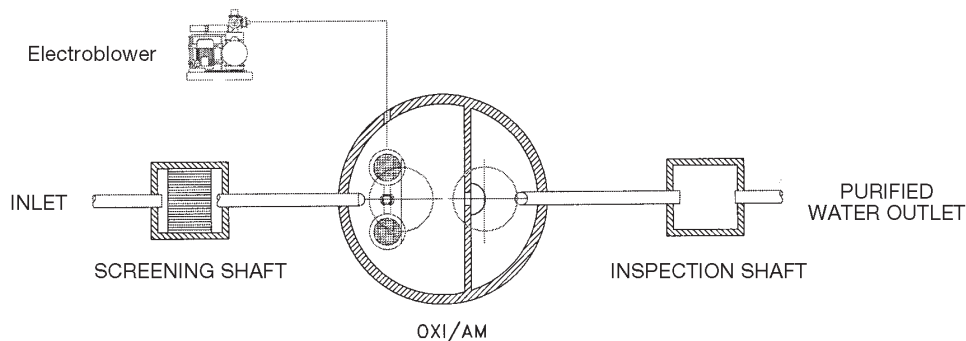


**STANDARD PRODUCTION**

**SECTION**



**PLAN**



DESCRIPTION	MEASURE UNIT	MODEL			
		OXI/AM 5	OXI/AM 10	OXI/AM 20	OXI/AM 30
People equivalent	n.	5	10	20	30
Daily flow rate	mc/g	0,75	1,5	3,0	4,5
BOD5	kg/g	0,3	0,6	1,2	1,8
Installed power	kW	0,4	0,4	0,55	0,75
Air diffusers	n.	1	2	4	4
Screening	L1	50	50	50	50
	H1	66	66	66	66
Oxid./Sedim.	D2	150	150	250	250
	H2	165	165	235	285
Inspection shaft	L3	50	50	50	50
	H3	66	66	66	66
Inlet level	cm	-35	-35	-35	-35
Outlet level	cm	-46	-46	-46	-46
Weight	q.ls	25	25	85	105

The above written data are given as information. The Society EURO MEC S.r.l. reserves the right to change them in every moment.