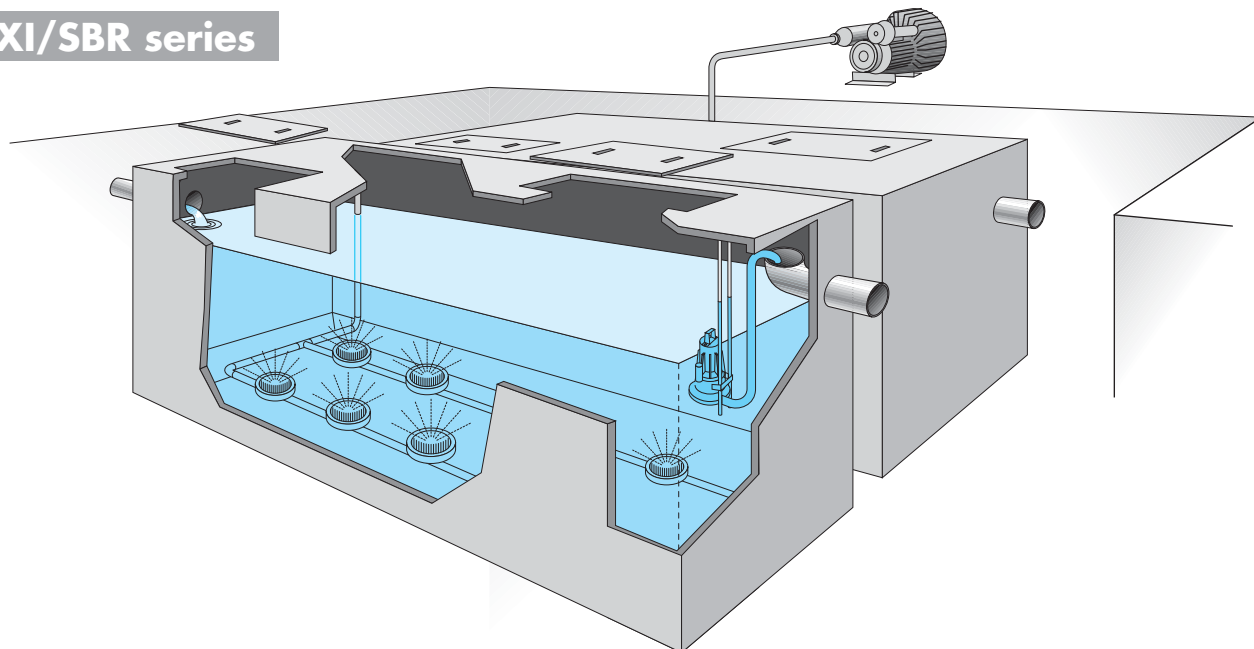


## MONOBLOC PARALLELEPIPED TOTAL OXIDATION PLANTS FROM 250 TO 800 EQUIVALENT POPULATION WITH SBR REACTOR

### OXI/SBR series



#### WHAT ARE TOTAL OXIDATION PLANTS OXI/SBR SERIES

*Monobloc parallelepiped prefabricated plants type EURO MEC OXI/SBR series for residential areas from 250 to 800 equivalent population are dimensioned in order to guarantee the acceptance limits to the discharge foreseen by the Directive 91/271/CEE for discharge in superficial water and foresee the functioning of the active sludge biological reactor "S.B.R." (Sequencing Batch Reactor). This technics fully tested is suitable to solve treatment problems when local requirements prevent from the application of traditional systems, particularly when hydraulic flow rates and organic loads are extremely discontinuous, like for example those of tourist resorts restaurants, hotels, kitchens and canteens, dairies, food industries, wine cellars, dye-works and laundries.*

*Monobloc parallelepiped prefabricated plants type EURO MEC OXI/SBR series of simple construction and functionality, permit a notable working flexibility, high clarifying efficiency, reduced maintenance, odour and noise absence.*

*Monobloc parallelepiped prefabricated plants type EURO MEC OXI/SBR series are principally composed of two parallelepiped tanks equipped with self-polishing membrane air diffusers and clarified water discharge pump submersible type.*

*Besides the supply includes the blower type side channels for the production of compressed air and the general command and protection electric panel with relative working logic.*

*The basins of the prefabricated monobloc tanks type EURO MEC OXI/SBR series are composed of monolithic basins made of reinforced concrete to guarantee any leak absence and any absence of ground infiltrations and can be installed even in presence of ground water.*

#### HOW TOTAL OXIDATION PLANTS OXI/SBR SERIES WORK

*Monobloc parallelepiped prefabricated plants type EURO MEC OXI/SBR series foresee the functioning according to the "S.B.R." technology (Sequencing Batch Reactor), that combines to the process quality the discontinuous flow reactor flexibility obtaining guarantees and efficiencies hardly comparable to traditional plants.*

industrial discharges treatment as they are insensible to the changes either of the hydraulic or of the organic load typical of the effluents connected to working cycles.

The S.B.R. reactor differs from continuous traditional plants as the two principal functions of the active sludge process, biological oxidation and final clarification, happen in the same tank.

The sedimentation phase is obtained by stopping the sewage aeration system so as to determine a situation of calm inside the oxidation tank and the consequent active sludge decantation on the bottom of the tank, leaving so on the surface a clarified water layer, that is conveyed to the discharge by means of a particular submersible pump.

The functioning of the blower providing the air necessary to the biological process is commanded by electronic programmers, that consent to arrange working cycles changeable according to the requested operational requirements.

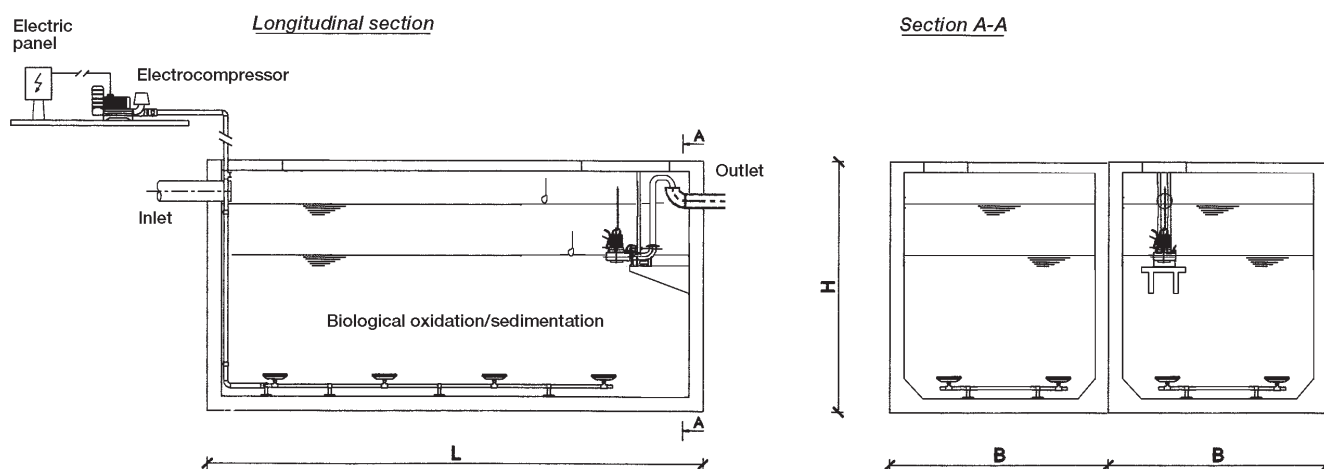
#### USED MATERIALS

Tanks	:	highly resistant reinforced vibrated concrete
By request	:	painted steel fiberglass
Shafts	:	concrete (if requested class D 400 cast iron)
Piping	:	galvanised steel and polyethylene
By request	:	stainless steel AISI 304

#### SPECIFICATION

"Supply of total oxidation depuration prefabricated plant made of reinforced concrete type EURO MEC OXI/SBR series composed of two parallelepiped monolithic tanks made of reinforced concrete horizontal axe with functioning according to "S.B.R." technology, complete with sewage inlet and outlet connection pipes, inspection shafts made of concrete, electroblowers type side channels, self-polishing membrane air diffusers, submersible electropump for clarified discharge water, level regulators, command and protection electric panel with timer and all other electromechanical parts for the correct functioning."

## STANDARD PRODUCTION



Monobloc parallelepiped total oxidation OXI/P series.  
For discharge in superficial water – Directive 91/271/CEE

DESCRIPTION	MEASURE UNIT	MODEL						
		OXI/SBR 250	OXI/SBR 300	OXI/SBR 400	OXI/SBR 500	OXI/SBR 600	OXI/SBR 700	OXI/SBR 800
Equivalent population	n.	250	300	400	500	600	700	800
Daily flow rate	mc/g	37,50	45	60	75	90	105	120
Daily organic load (BOD5)	Kg/g	15	18	24	30	36	42	48
Oxidation/sedimentation volume	mc	44,50	55,00	73,00	92,00	115,00	134,00	154,00
Air request	mc/h	115	115	190	230	230	380	380
Lift	mm	2000	2000	2000	2000	2000	2000	2000
Installed power	kW	2,2	2,2	3,00	2 x 2,2	2 x 2,2	2 x 3,00	2 x 3,00
Blowers	n.	24	24	32	36	36	48	48
Oxidation/sedimentation modules	n.	2	2	2	4	4	4	4
<b>DIMENSIONS</b>								
* Length L	cm	500	600	800	500	600	700	800
* Width B	cm	250	250	250	250	250	250	250
* Height H	cm	250	250	250	250	250	250	250
Total weight	q.l.s	360	460	560	720	920	1040	1120

The above written data are given as information. The Society EURO MEC S.r.l. reserves the right to change them in every moment.

The plants can be supplied with hydraulic flow rates and organic loads even different from the ones in the schedule, which are of 150 l/inhab. g. and of 60 g BOD5/inhab. g.