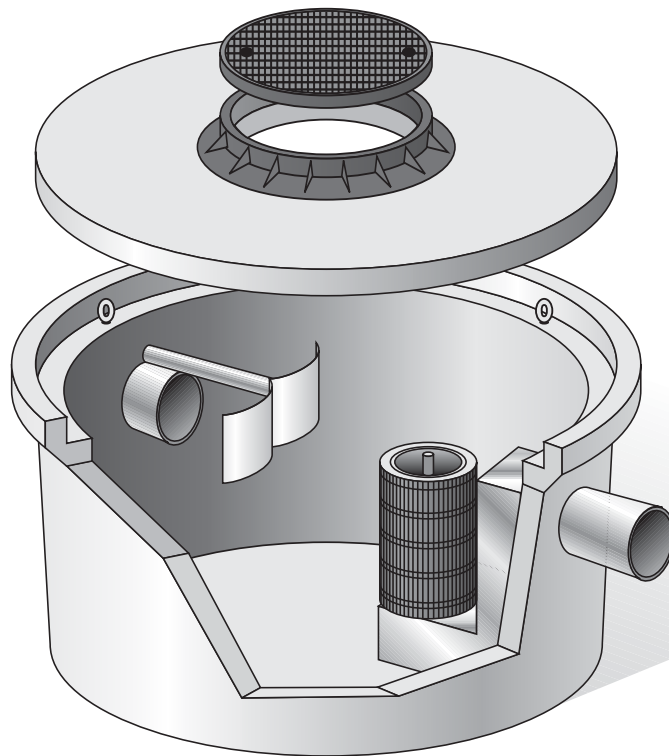


MINERAL OILS SEPARATORS FOR SURFACES FROM 500 TO 1000 SMQ

Plant for small surfaces with continuous meteoric water treatment

SA/PU series



WHAT MINERAL OILS SEPARATORS FOR WATERPROOFED SURFACES SA/PU SERIES ARE

Prefabricated mineral oils separators type EUROMEC SA/PU series are dimensioned according to the DIN 1999 Norms and ensure the respect of the acceptance parameters stated on the Directive 91/271/CEE for discharge into public sewers or surface water of fluctuating substances and sedimentable solids.

These installations are used for the treatment of water coming from waterproofed surfaces, which are mainly polluted by mineral oils, sand and mud.

Prefabricated mineral oils separators type EURO MEC SA/PU series are composed of monobloc highly resistant reinforced concrete cylindrical tanks with vertical axis.

The installation is composed of a single tank with a deflector for the incoming sewage and non return valve with coalescence filter for the outgoing sewage. The cover is carriageable and complete with inspection shafts made of D400 cast iron.

HOW MINERAL OILS SEPARATORS FOR WATERPROOFED SURFACES SA/PU SERIES WORK

Water coming to the separator, when calm, deposits the heaviest substances on the tank bottom (sand separation treatment) and, at the same time undergoes a fluctuation process of the light substances, which come to surface. The discharge is automatically closed by a floating obstructor in order to avoid oil leakages when it reaches a certain level in the collection chamber.

The installation is also equipped with a coalescence filter (Directive 91/271/CEE to a particular coalescent material (absorption effect) in which they join up increasing their dimension (coalescence effect) and therefore favouring their fluctuation on surface.

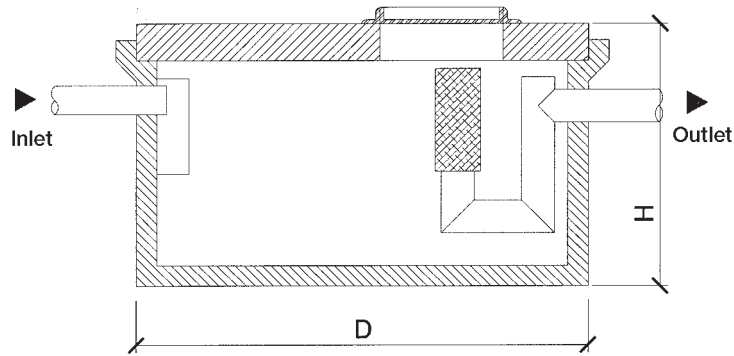
USED MATERIALS

Tanks	:	highly resistant reinforced vibrated concrete
Shafts	:	D400 class cast iron hot galvanized steel
Internal carpentry	:	AISI 304 stainless steel

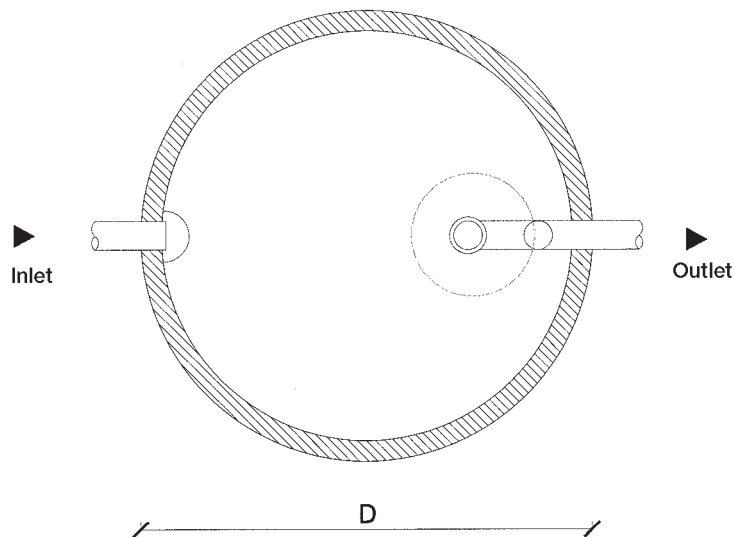
SPECIFICATION

"Supply of a prefabricated separator type EURO MEC SA/PU series dimensioned according to the DIN 1999 Norms, built for the treatment of water coming from waterproofed surfaces, made of highly resistant reinforced concrete complete with inside a deflector made of AISI for the incoming sewage and a non return valve with coalescence filter for the outlet sewage, carriageable cover and inspection manholes made of D400 cast iron."

STANDARD PRODUCTION



Plan



DESCRIPTION	MEASURE UNIT	MODEL			
		SA/PU NG 4	SA/PU NG 8	SA/PU NG 10	SA/PU NG 15
Nominal flow rate	l/s	4	8,00	10,00	15,00
Max. treated surface	Sq m	300	500	700	1000
Max parked cars	N.	12	20	28	40
Oil separator volume	l	1800	2000	3500	5000
Separator dimensions					
- diameter D	m	1,40	2,00	2,00	2,00
- height H	m	1,75	1,28	1,78	2,28
Inlet/outlet piping diameter	mm	160	140	200	200
Total weight	q.ls	22	46	54	66
Heaviest part weight	q.ls	18	30	30	30

The above written data are given as information. The Society EURO MEC S.r.l. reserves the right to change them in every moment.