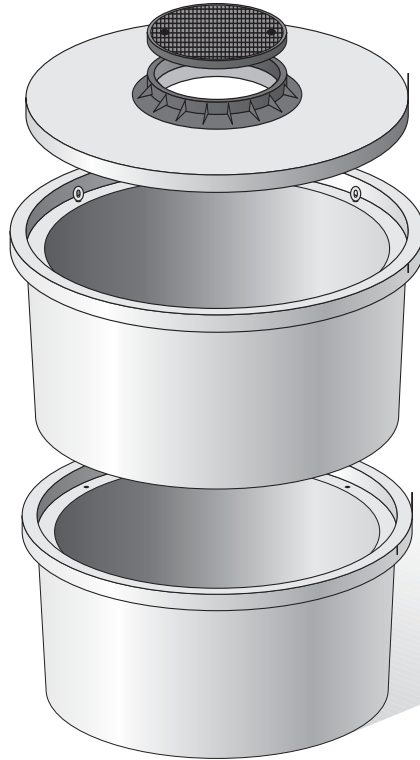


GLASS-SHAPED CYLINDRICAL TANKS WITH MODULAR RINGS

SC/A series



WHAT ARE GLASS-SHAPED CYLINDRICAL TANKS WITH MODULAR RINGS SC/A SERIES

Glass-shaped cylindrical tanks with modular rings type EURO MEC SC/A series are used to stock sewage of different type, and are composed of a modular rings tank to seal on site cylindrical vertical axe made of highly resistant reinforced concrete.

Glass-shaped cylindrical tanks with modular rings type EURO MEC SC/A series support static road loads and can be supplied with inspection manholes made of cast iron D 400.

Glass-shaped cylindrical tanks with modular rings type EURO MEC SC/A series can be divided inside into walls made of concrete, PVC, steel with different inclinations and shapes.

Glass-shaped cylindrical tanks with modular rings type EURO MEC SC/A series are reliable during the time for different sewage types, with absolute resistance and corrosion absence and/or losses.

USED MATERIALS

- Tanks : highly resistant reinforced vibrated concrete
- Shafts : concrete
- By request : hot galvanized steel
AISI 304 stainless steel
Cast iron D400

SPECIFICATION

"Supply of glass-shaped modular rings tank type EURO MEC SC/A series made of highly resistant reinforced concrete, with inspection manholes made of cast iron D 400."

STANDARD PRODUCTION

MODEL	VOLUME mc	DIAMETER	External HEIGHT	WEIGHT q.lts
SC/A 2	2	150	168	20
SC/A 3	3	150	218	23
SC/A 4	4	150	268	26
SC/A 5	5	150	318	29
SC/A 5.5	5,5	200	229	66
SC/A 7	7	200	279	75
SC/A 8.5	8,5	200	329	86
SC/A 10	10	200	379	95
SC/A 12	12	200	429	106
SC/A 13	13	300	260	128
SC/A 18	18	300	335	148
SC/A 23	23	300	410	168
SC/A 28.5	28,5	300	485	188
SC/A 35	35	300	560	208

The above written data are given as information. The Society EURO MEC S.r.l. reserves the right to change them in every moment.

The glass-shaped modular rings tanks type EURO MEC SC/A series made of reinforced concrete are of fast and easy installation.

By request it is possible to install in the tank's walls special elements like inlet and outlet pipes or manholes.

The glass-shaped modular rings tanks type EURO MEC SC/A series, can be vitrified with alimentary epoxy resin.