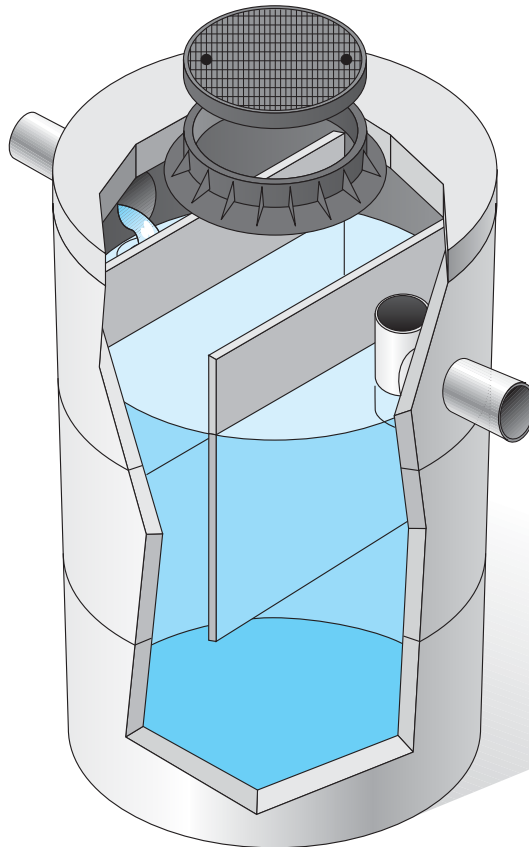


MODULAR RING KITCHEN OILS AND GREASE SEPARATORS

SCU/A series



WHAT ARE MODULAR RING KITCHENS OILS AND GREASE SEPARATORS SCU/A SERIES

Oils and grease separators type EURO MEC SCU/A series are dimensioned according to what has been prescribed by the Norms DIN 4040 to guarantee the acceptance limits for floating substances from the Directive 91/271/CEE; are particularly used to treat kitchen discharge water, and in general, for high values of vegetal and animal oils and grease, are composed of a modular rings tank cylindrical plan made of highly resistant reinforced concrete to guarantee a total leak absence and the absence of ground infiltrations.

In the cylindrical tank, supplied with inspection manholes made of concrete, are placed baffles, which divide the inlet sewage section from the outlet one and form a flotation section, where water is divided from oil and grease substances.

Oils and grease separators type EURO MEC SCU/A series can be installed even in the presence of ground water.

HOW MODULAR RING KITCHENS OILS AND GREASE SEPARATORS SCU/A SERIES WORK

Oils and grease are of vegetal and animal origin and are principally pollutants present in the discharges coming from kitchens.

The pollutants mustn't be send directly to the drainage system as they would obstruct it with subsequent irritating odours.

Oils and grease separators type EURO MEC SCU/A series have the function, as the word itself indicates, of separating these two substances by means of a flotation so as to be stored in the proper section.

In order to obtain the final result and a good functioning, the separators must be placed near the kitchen discharge column, the main grease source.

USED MATERIALS

Tanks	:	highly resistant reinforced vibrated concrete
<i>By request</i>	:	polyethylene
Shafts	:	concrete
<i>By request</i>	:	hot galvanised steel, stainless steel AISI 304, class D 400 cast iron

SPECIFICATION

"Supply of prefabricated modular rings separator made of vibrated reinforced concrete to seal on site, type EURO MEC SCU/A series, dimensioned according to what has been prescribed by the DIN Norms DN 4040, complete with inside baffles, oils and grease collection section and inspection manholes."

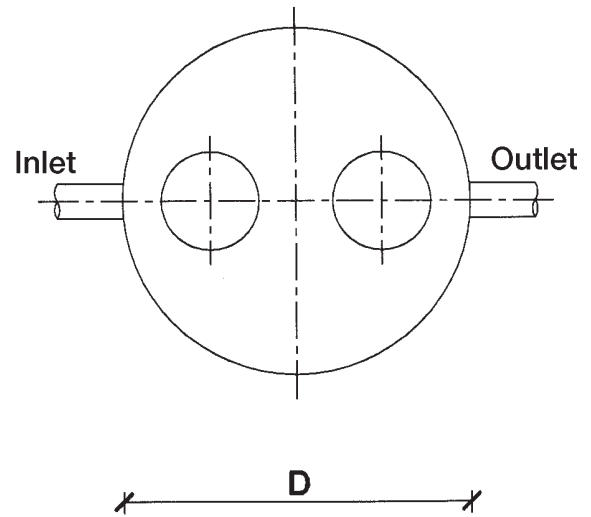
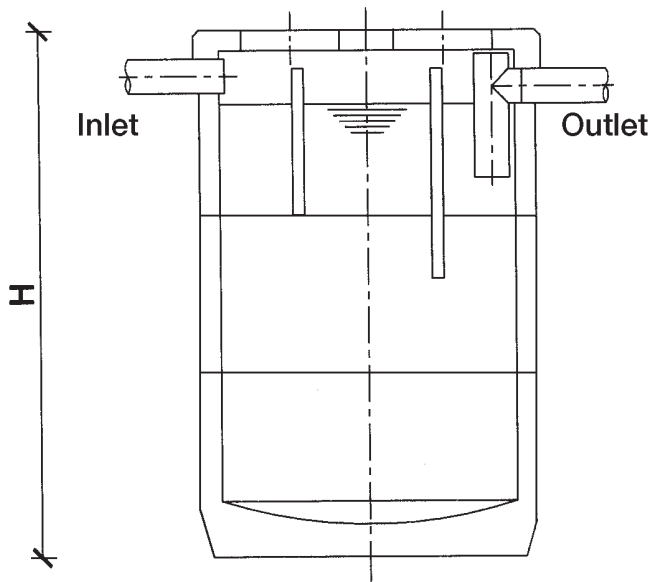


STANDARD PRODUCTION

Technical file

Section

Plan



In compliance with the DIN Norms 4040; Discharge in drainage system - Directive 91/271/CEE

OILS AND GREASE STATIC SEPARATOR					STORAGE TANK		
MODEL	MEALS NUMBER PER DAY	D1 cm	H1 cm	Weight q.l.s	D1 cm	H1 cm	Weight q.l.s
SCU/A 30	30	150	168	23	125	168	16
SCU/A 70	70	150	218	30	125	168	16
SCU/A 120	120	150	318	42	125	168	16
SCU/A 200	200	200	229	66	150	218	30
SCU/A 300	300	200	329	86	150	218	30
SCU/A 400	400	200	379	95	200	229	66
SCU/A 500	500	300	260	128	200	229	66
SCU/A 600	600	300	335	148	200	229	66

The above written data are given as information. The Society EURO MEC S.r.l. reserves the right to change them in every moment.