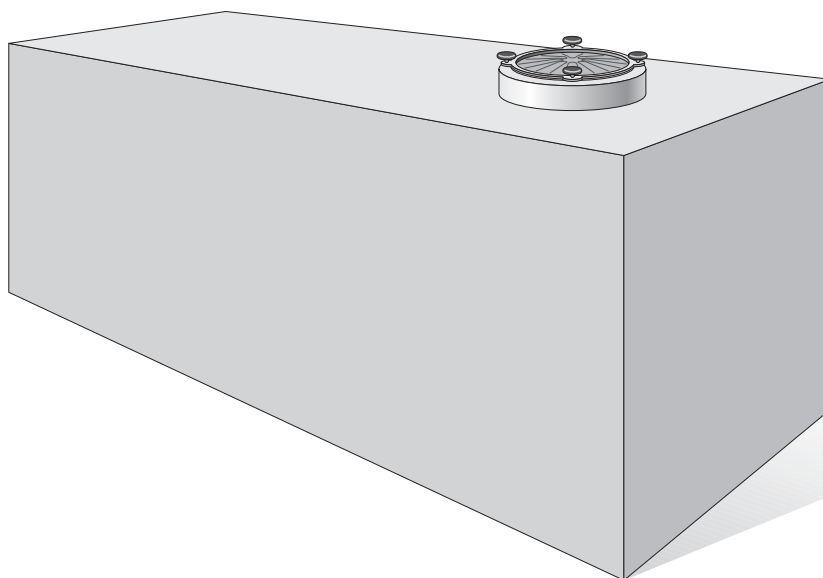




# MONOBLOC PARALLELEPIPED TANKS

## SM/P series



### WHAT ARE MONOBLOC PARALLELEPIPED TANKS SM/P SERIES

*Monobloc parallelepiped tanks* type EURO MEC SM/P series are used to stock sewage of different type, and are composed of a cylindrical monolithic tank horizontal axe made of highly reinforced concrete to guarantee a total absence of leakages and infiltration into the ground.

*Monobloc parallelepiped tanks* type EURO MEC SM/P series can be installed also in presence of groundwater.

*Monobloc parallelepiped tanks* type EURO MEC SM/P series support static road loads and can be supplied with inspection manholes.

*Monobloc parallelepiped tanks* type EURO MEC SM/P series can be divided inside into walls made of concrete, PVC, steel with different inclinations and shapes.

*Monobloc parallelepiped tanks* type EURO MEC SM/P series are reliable during the time for different sewage types, with absolute resistance and corrosion absence and/or losses.

By means of inspection manholes it is possible to control inside the tanks every time it is necessary.

### USED MATERIALS

- Tanks : highly resistant reinforced vibrated concrete
- Shafts : concrete
- By request : hot galvanized steel  
AISI 304 stainless steel  
Cast iron D400

### SPECIFICATION

"Supply of prefabricated monobloc tank type EURO MEC SM/P series parallelepiped horizontal axe made of highly resistant reinforced concrete, with inspection manholes."

### STANDARD PRODUCTION

MODEL	VOLUME litres	Length cm	Width cm	Height cm	WEIGHT q.l.s
SM/P 2.5	2500	140	100	270	29
SM/P 3	3000	160	100	270	37
SM/P 5	5000	250	100	270	49
SM/P 8.5	8500	290	160	270	74
SM/P 10	10000	250	200	270	80
SM/P 12.5	12500	250	250	270	93
SM/P 17	17000	325	250	270	120
SM/P 20.5	20500	400	250	270	146
SM/P 24	24000	450	250	270	165
SM/P 26.5	26500	500	250	270	193
SM/P 29	29000	550	250	270	204
SMP 33	33000	600	250	270	225
SM/P 35	35000	650	250	270	236
SM/P 37.5	37500	700	250	270	252
SM/P 40	40000	750	250	270	268
SM/P 43	43000	800	250	270	295
SM/P 50	50000	1000	250	270	350

The above written data are given as information. The Society EURO MEC S.r.l. reserves the right to change them in every moment.

*The prefabricated cylindrical tanks* type EURO MEC SM/P series made of reinforced concrete are of fast and easy installation and can be installed in or out of ground.

By request it is possible to install in the tank's walls special elements like inlet and outlet pipes or manholes.

*The prefabricated cylindrical tanks* type EURO MEC SM/P series, can be vitrified with alimentary epoxy resin.