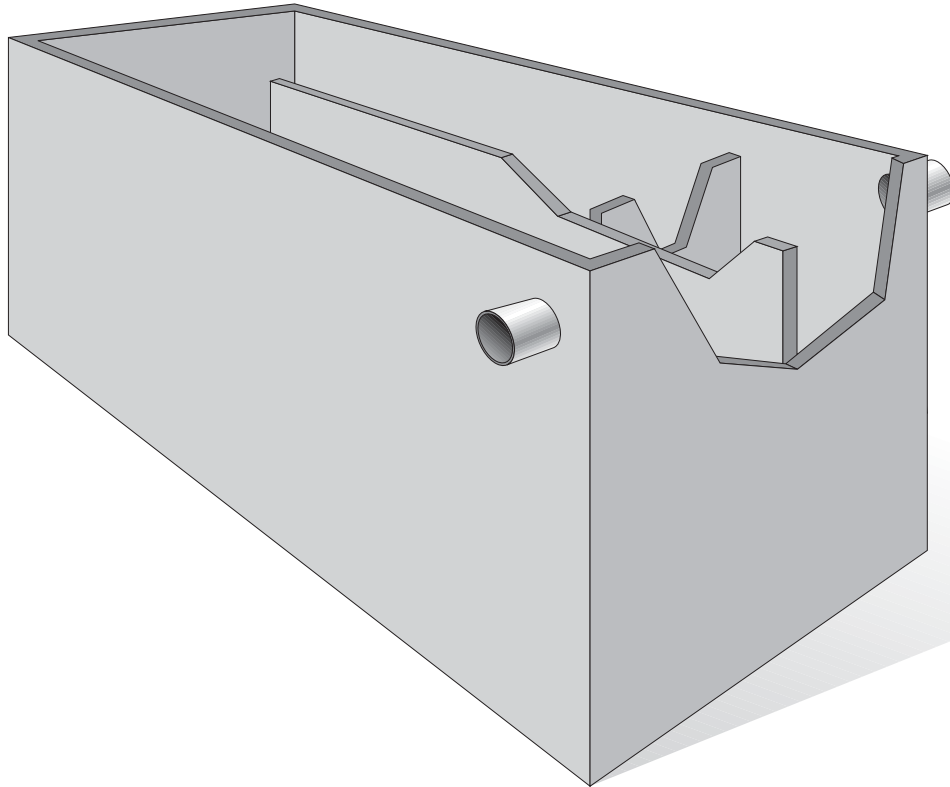


## MONOBLOC CHLORINATION TANKS

VCL series



### WHAT ARE MONOBLOC CHLORINATION TANKS SERIES VCL

The *prefabricated monobloc chlorination tanks* type EURO MEC VCL series are dimensioned to guarantee a disinfecting process complying with the Directive 91/271/CEE and allow a certain contact time between sewage and chemical reagent, which is usually sodium hypochlorite and peracetic acid.

The *prefabricated monobloc chlorination tanks* type EUROMEC VCL series are built with highly resistant reinforced concrete to ensure a total absence of leakages and infiltrations into the ground; furthermore, they can even be installed in presence of ground water.

### HOW MONOBLOC CHLORINATION TANKS VCL SERIES WORK

The sewage is forced into a serpentine route created with inner sects therefore increasing the contact time with the chemical reagent used to disinfect.

### USED MATERIALS

Tanks : highly resistant vibrated reinforced concrete

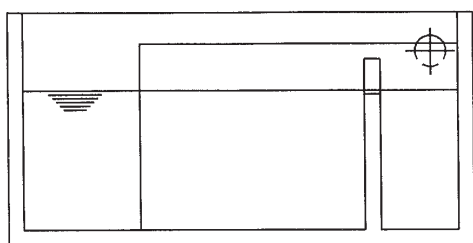
### SPECIFICATION

"Supply of a prefabricated monobloc chlorination tank type EUROMEC VCL series made of reinforced concrete with rectangular section with flat bottom complete with inner sects for the sewage forced serpentine path, dimensioned to guarantee enough contact time between the sewage and the chemical reagent, which will not have to be less than 20 minutes during the maximal flow rate in order to ensure the best possible mixing and disinfecting process."

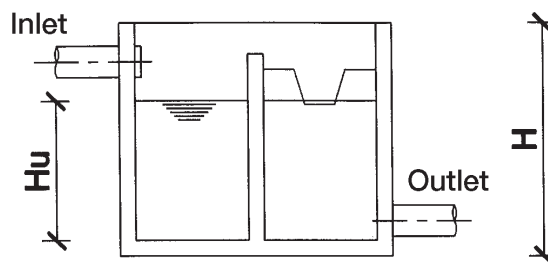


**STANDARD PRODUCTION**

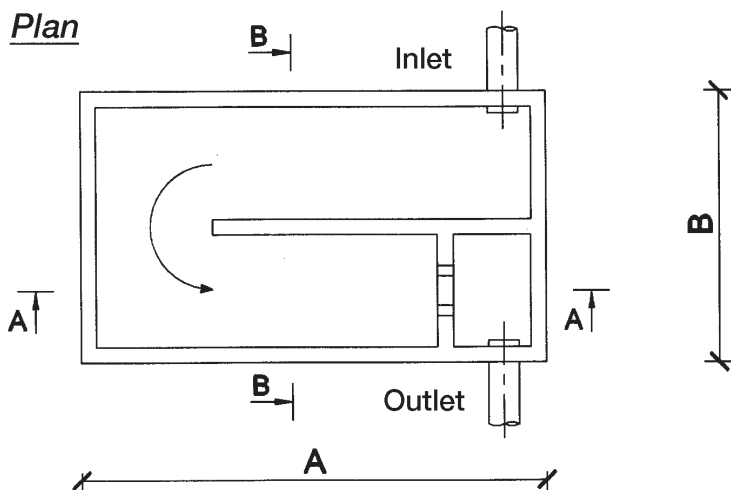
**Section A-A**



**Section B-B**



**Plan**



DESCRIPTION	MEASURE UNIT	MODEL								
		VCL 500	VCL 750	VCL 1000	VCL 1600	VCL 1900	VCL 2200	VCL 2500	VCL 3200	VCL 5000
Equivalent population	n.	500	750	1000	1600	1900	2200	2500	3200	5000
Unit flow rate	l/people day	200	200	200	200	200	200	200	200	200
Max. flow rate	mc/h	12,75	19,50	25,50	31,5	38,25	38,25	51	63,75	82,5
Contact time	min.	20	20	20	20	20	20	20	20	20
Effective volume	mc	4,25	6,38	8,5	10,63	12,75	14,88	17	21,25	27,63
Length	A	250	250	250	250	320	320	420	520	670
Width	B	120	170	220	250	250	250	250	250	250
Total height	H	210	210	210	210	210	210	210	210	210
Effective height	Hu	170	170	170	170	170	170	170	170	170
Internal walls	n.	1	1	1	3	3	3	3	3	3
Installation weight	q.l.s	45	50	63	70	85	85	110	120	160

The above written data are given as information. The Society EURO MEC S.r.l. reserves the right to change them in every moment.

The installations can be supplied with flow rates and hydraulic charges different from the ones indicated on the table above (200 l/ people day).