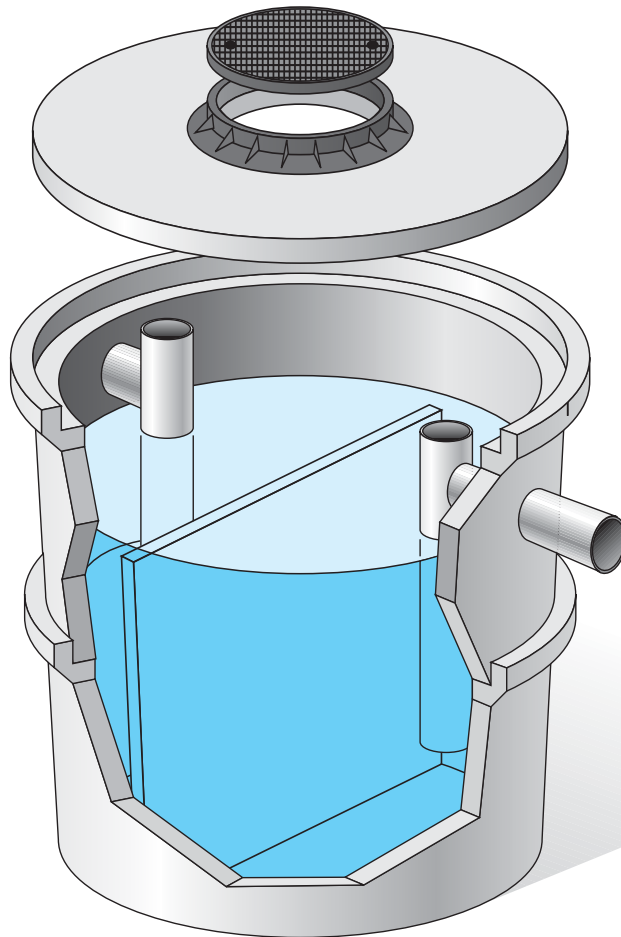


MODULAR RING DISINFECTION TANKS

VCL/A series



WHAT CYLINDRICAL CHLORINATION TANKS WITH VERTICAL AXIS VCL/A SERIES ARE

The *prefabricated cylindrical chlorination tanks with vertical axis* type EUROMEC VCL/A series are dimensioned to comply with the disinfection's standards set on the Directive 91/271/CEE and are therefore designed to allow a certain contact time between the sewage and the chemical reagent, usually sodium hypochlorite and if necessary peracetic acid.

The *prefabricated cylindrical chlorination tanks with vertical axis* type EUROMEC VCL/A series are built with highly resistant reinforced concrete in order to ensure a total absence of leakages and infiltrations into the ground. Furthermore, they can be installed also in presence of ground water.

HOW CYLINDRICAL CHLORINATION TANKS WITH VERTICAL AXIS VCL/A SERIES WORK

The sewage is forced into a serpentine route created with dividing sects inside the tanks and therefore increasing the contact time with the chemical reagent used for the disinfecting process.

USED MATERIALS

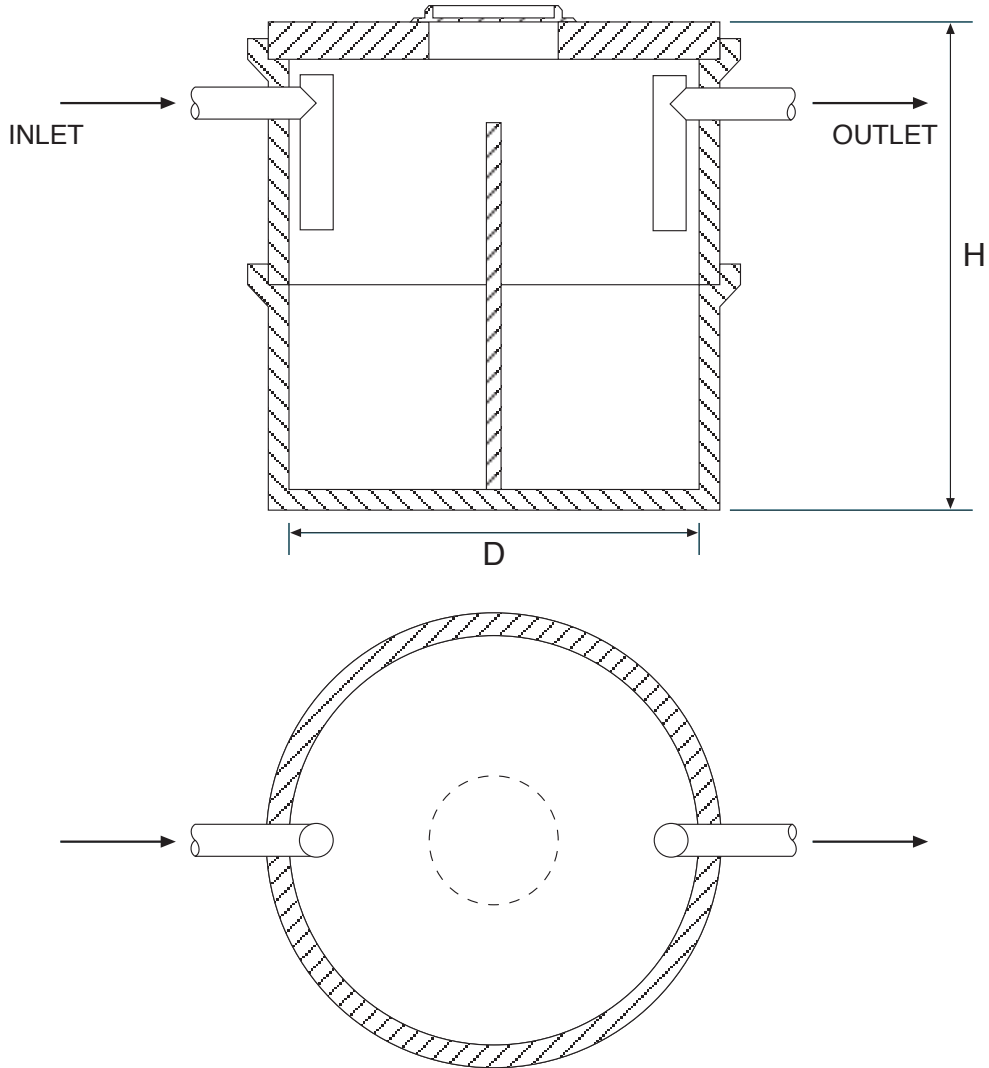
Tanks : highly resistant vibrated reinforced concrete

SPECIFICATION

"Supply of a prefabricated vertical axis cylindrical chlorination tank with modular rings to seal on site type EUROMEC VCL/A series complete with inner sects for the sewage forced serpentine path, dimensioned to guarantee enough contact time between the sewage and the chemical reagent, which will not have to be less than 20 minutes during the maximal flow rate in order to obtain the best possible mixing and disinfection process."



STANDARD PRODUCTION



DESCRIPTION	MEASURE UNIT	MODEL									
		VCL/A 40	VCL/A 60	VCL/A 80	VCL/A 100	VCL/A 150	VCL/A 200	VCL/A 250	VCL/A 300	VCL/A 400	VCL/A 500
Equivalent popul.	n.	40	60	80	100	150	200	250	300	400	500
Unit flow rate	l/peopl. d	200	200	200	200	200	200	200	200	200	200
Max flow rate	mc/h	1	1,5	2	2,5	3,75	5	6,25	7,5	10	12,5
Contact time	min.	20	20	20	20	20	20	20	20	20	20
Effective volume	mc	0,33	0,5	0,66	0,83	1,25	1,67	2,1	2,5	3,3	4,2
Internal diameter D	cm	80	100	125	125	125	150	200	200	200	200
Height H	cm	112	112	118	118	168	168	129	129	179	179
Installation weight	q.l.s	5	8	13	13	16	20	46	46	54	54

The above written data are given as information. The Society EURO MEC S.r.l. reserves the right to change them in every moment.